

HORIZON

HORIZON Adjustable Spotlight, High Output Surface



Job Information	
Project Name	
Type	
Location	
Quantity	
Date	

Description

Architectural-grade LED fixture delivering exceptional white light quality and visual consistency. Engineered for superior color performance with CRI 90+, ensuring accurate and vibrant illumination. Features field-changeable optics, including precision TIR lenses and framing projector/GOBO-compatible accessories, providing maximum flexibility for beam control and design adaptability. Also available in matching cylinder, pendant, and surface mount versions for a cohesive lighting aesthetic across applications.

Features

Body

Constructed from aluminum, this LED fixture features an aesthetically pleasing smooth cylindrical shape.

Beam Spread

The fixture is available in 20°, 30°, 40° and 50° beam angles.

Dimming

The fixture is dimmable when used with compatible dimmable driver (Consult factory for compatible drivers and dimmers).

Adjustability

Adjustable up to 135° tilt and 355° rotation to allow for spotlight into multiple directions.

LED Characteristics

Efficient LED chip maintains uniform intensity with a typical luminous flux up to 1500 lumens, with a typical CRI of 90. Available in 2700 K, 3000 K, 3500 K and 4000 K correlated color temperature.

Mounting

Direct mounting onto 3½" or 4" octagonal junction box.

Field-Replaceable TIR Lens

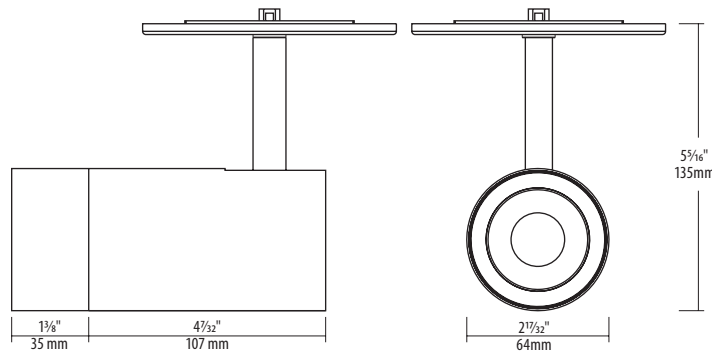
Lens Precision-engineered Total Internal Reflection (TIR) lens designed for optimal beam control and uniform light distribution. Easily interchangeable in the field, allowing quick adjustments to beam angles without replacing the entire fixture. Ideal for adapting lighting layouts to evolving retail, hospitality,

and architectural applications while maintaining high optical efficiency and minimal glare.



SPECIFICATION	
Approved Location	Dry / Indoor
Application	Surface
Certification	cETLus
Beam Spread	20° / 30° / 40° / 50°
Color Temperature	2700 K / 3000 K / 3500 K / 4000 K
CRI	90
Dimmable	Yes
Lumens	Up to 1500
Lumens per Watt	Up to 100
TM-30 Annex E	P2 / V- / F3
Voltage	120V
Wattage	15W

Technical Drawings



Ordering Guide

Color Temperature	Beam Angle	Lens Type ¹	Mounting Type	Optical Accessory ⁴	Filter Option	Fixture Finish ³
HZ15-						
27 : 2700 K	V : 20°	D : Deep anti-glare	M : Monopoint	1 : Standard Snoot ²	N : No filter	B : Black
30 : 3000 K	N : 30°	G : Glareless		S : Long Snoot	L : Linear lens	W : White
35 : 3500 K	M : 40°	H : Higher efficacy		O : Oval Snoot	S : Soft lens	
40 : 4000 K	W : 50°	R : Glare Control		F : Framing Projector ^{3,5}	H : Honeycomb louver	
		N : No lens ⁵			G : GOBO Custom lens ¹	

Notes:
¹ Refer to Lens option overview. ² Standard Snoot is the default option. ³ Projector accessory has only black finish. ⁴ Baffle finish will match the fixture finish. ⁵ 20-30 degree zoom beam angle, No lens no filter and must be selected when using Framing Project option. ⁶ Not available with framing projector. ⁷ Only available with framing projector. Accessories are sold separately. For additional options please consult your A-Line representative. Due to our continued efforts to improve our products, product specifications are subject to change without notice.

Options & Accessories



SPOT2-SN-xyyy
Standard 1 1/4" snoot. xx - color, yy - baffle color.



SPOT2-LSN-xyyy
Long 2" snoot. xx - color, yy - baffle color.



SPOT2-SNO-xyyy
Oval 2 5/8" snoot. xx - color, yy - baffle color.



SPOT2-F-BK
Framing projector with 20°-30° zoom. (Only available in black finish)



SPOT2-LINEAR-LENS
Linear lens.



SPOT2-SL-LENS
Soft lens.



SPOT2-HC
Honeycomb louver.

Lens Options Overview

Our lens portfolio is engineered to deliver precision, performance, and visual comfort across a wide range of lighting applications — from high-end architectural spaces to high-efficiency commercial environments.

Type D - sharp cutoff and reduced field angle

Type R - Hybrid lens-reflector design with regressed LES

Type G - Low-glare and soft-edged beams for comfortable illumination.

Type H - Increased CBCP (Center Beam Candlepower), ultra-high efficiency lens

Lens Options



SA-LENS-DK50-10-BK/WH
Tir Lens Type D, DIA50, 10°, Black / White Holder

SA-LENS-DK50-15-BK/WH
Tir Lens Type D, DIA50, 15°, Black / White Holder

SA-LENS-DK50-24-BK/WH
Tir Lens Type D, DIA50, 24°, Black / White Holder

SA-LENS-DK50-36-BK/WH
Tir Lens Type D, DIA50, 36°, Black / White Holder

SA-LENS-DK50-50-BK/WH
Tir Lens Type D, DIA50, 50°, Black / White Holder

SA-LENS-GEM50-10-BK/WH
Tir Lens Type R, DIA50, 10°, Black / White Holder

SA-LENS-GEM50-15-BK/WH
Tir Lens Type R, DIA50, 15°, Black / White Holder

SA-LENS-GEM50-24-BK/WH
Tir Lens Type R, DIA50, 24°, Black / White Holder

SA-LENS-GEM50-36-BK/WH
Tir Lens Type R, DIA50, 36°, Black / White Holder

SA-LENS-GEM50-50-BK/WH
Tir Lens Type R, DIA50, 50°, Black / White Holder

SA-LENS-GLL50-10-BK/WH
Tir Lens Type G, DIA50, 10°, Black / White Holder

SA-LENS-GLL50-15-BK/WH
Tir Lens Type G, DIA50, 15°, Black / White Holder

SA-LENS-GLL50-24-BK/WH
Tir Lens Type G, DIA50, 24°, Black / White Holder

SA-LENS-GLL50-36-BK/WH
Tir Lens Type G, DIA50, 36°, Black / White Holder

SA-LENS-GLL50-50-BK/WH
Tir Lens Type G, DIA50, 50°, Black / White Holder

SA-LENS-KAP50-10-BK/WH
Tir Lens Type H, DIA50, 10°, Black / White Holder

SA-LENS-KAP50-15-BK/WH
Tir Lens Type H, DIA50, 15°, Black / White Holder

SA-LENS-KAP50-24-BK/WH
Tir Lens Type H, DIA50, 24°, Black / White Holder

SA-LENS-KAP50-36-BK/WH
Tir Lens Type H, DIA50, 36°, Black / White Holder

SA-LENS-KAP50-50-BK/WH
Tir Lens Type H, DIA50, 50°, Black / White Holder

GOBO Options



HZ15-GOBO-1C
GOBO Insert for Horizon Projector, Monochrome



HZ15-GOBO-2C
GOBO Insert for Horizon Projector, Two Color



HZ15-GOBO-FC
GOBO Insert for Horizon Projector, Full Color